

1.4 Brink Sun Set

GENERAL INFORMATION

BRINK SUN SET

In cooperation with German sister company Wolf Heiztechnik Germany, B developed a completely new line of solar water heater systems, the Brink Sun Set. The Brink Sun Set comes in three standard sets, including solar water heaters with capacities of 115, 200 and 300 litres. In addition to these standard sets, Brink also offers made-to-measure solutions. Brink offers a complete range of accessories so there is a fitting solution for any situation. The three standard versions are suitable for single households up to households of four tot six.

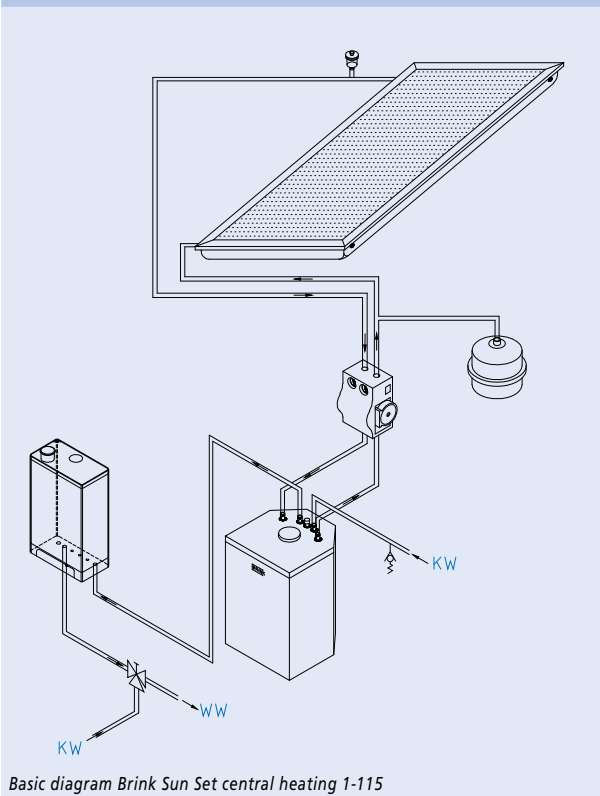
PARTS

Every Brink Sun Set features unique solar thermal collectors that are excellently suitable for the European climate. The use of special glass guarantees a high efficiency, also in the European climate.

Every Brink Sun Set is composed of the following parts:

- Solar thermal collector Top Son F3-1
- Sealing plug set
- Couplings pump group 4 x 22 mm
- Collector connectors (if necessary)
- Pump group 10, with high head
- Expansion vessel
- Connecting kit
- Flexible connecting kit
- Solar water heater
- Manual bleeder
- ANRO fluid, KIWA approved
- Controller, SM1
- Mixing valve

BRINK SUN SET



VERSIONS

As stated above, the Brink Sun Set comes in three standard versions.

- A: Sun Set CV 1-115, with one solar thermal collector and one 115-litre solar water heater.
- B: Sun Set CV 2-200, with one solar thermal collector and one 200-litre solar water heater.
- C: Sun Set CV 3-300, with three solar thermal collectors and one 300-litre water heater.